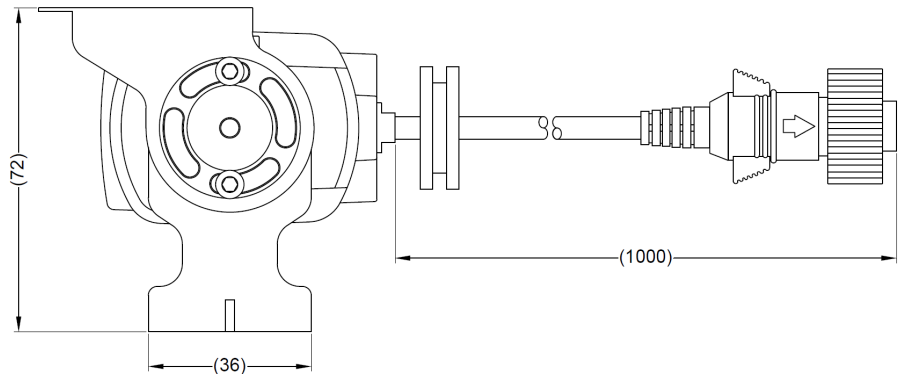
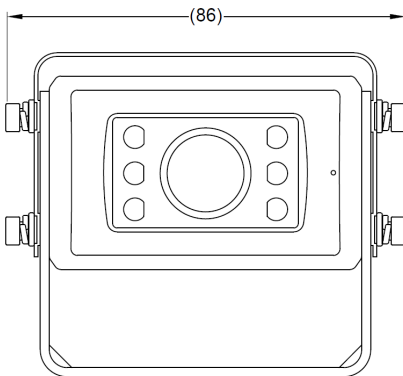


Product Specification



Brigade Model Number: BE-850C

Part Number: 4924B



Dimensions: mm

Environmental Specifications:

- Shock Rating: 51G (3 axis, 6 directions)
- Vibration Rating: 8.5G (3 axis, random frequency)
- Connector IP Rating: IP67
- Camera IP Rating: IP68, IP69K
- Operating Temperature: -40°C to +85°C
- Storage Temperature: -40°C to +85°C

Approved Standards:

- CE (EN 61000-6-1:2007 + A1:2011 + AC:2012 / EN 61000-6-3:2007 + AC:2005)
- FCC (47 CFR Part 15 Subpart B)
- Industry Canada (ICES-003)
- E-Mark (ECE Regulation 10 Rev 05)
(ECE Regulation 46 Rev 06 with BE-870LM)
- EMC for Earth Moving Machinery (ISO 13766:2006)
- EMC for Construction Equipment (EN 13309:2010)
- Ingress Protection (ISO 20653:2006)
- Salt Spray Corrosion (ISO 16750-4)
- RoHS
- WEEE

Technical Specifications:

- Operating Voltage: 12/24 Vdc
- Current Consumption: $\leq 140\text{mA @ } 24\text{ Vdc}$
- Power Consumption: $\leq 3.7\text{W @ } 24\text{ Vdc}$
- TV System: PAL
- Picture Elements: 720(H) x 576(V)
- Visual Resolution: 425TVL
- Viewing Angle: 109°(H) 85°(V) 135°(D)
- Mirror/Normal: Mirror & Normal

Technical Specifications Continued...

- Required illumination: 0Lux (IR LEDs ON)
- Video Output: 1.0Vp-p/75Ω (PAL/NTSC)
- Length of Cable: 1000mm
- Overall Dimensions: (With Bracket)
86mm (W) x 80mm (D) x 72mm (H)
- Weight: 335g
- Casing Material: Die cast Aluminium
- Colour: Black

Features:

- Wide Dynamic Range
- Automatic White Balance
- Fixed IRIS - Aperture F2.5
- 5 x High Power Infrared LEDs
- Integrated Day/Night Sensor
- Integrated Heater
- Integrated Microphone
- BE Type Connector
- High Performance Sony CMOS Chip

Package Contents:

- 1 x (BE-850C-C) Camera
- 1 x (BE-89XC.BE-X0XC-BKT) Bracket
- 1 x (BE-89XC.BE-X0XC-SS) Sunshield
- 1 x (BE-8/2XXC-FIX) Fixing Pack
- 1 x (BE-8XXC.2XXC-IG) Instruction Guide